

COMET DD

Digital Conveyor with Profile Gauge

PRODUCT WEB LINK



WEB

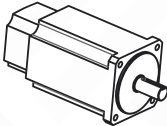

FEATURES

Used for conveying of aluminum, plastic and metal profiles.

- Measuring capacity up to 3 m
- Easy installation on machines
- Touchscreen
- Automatic positioning

OPTIONAL EQUIPMENT

- Bluetooth caliper gauge

				
HP	n	1 ~	I	l x w x h (mm)
kw	r.p.m	Hz	A	
1,1	3000	50	4,8	3406 x 600 x 1435
0,8		60		93 kg